

Laser Power Measurement Spheres



Collecting the total radiant power emitted by highly divergent or collimated sources

Accurate

Independent of beam geometry and without the need for auxiliary optics, Labsphere's Laser Power Measurement Spheres are ideal for collecting the total radiant power emitted by highly divergent sources, such as laser diodes as well as a collimated laser beam. Accurate, repeatable measurements may be performed quickly and easily without painstaking positioning and alignment procedures. Integrating sphere measurements of laser power also eliminate polarization effects often associated with filter attenuation techniques.

Labsphere's Laser Power Measurement Spheres are offered for applications in the wavelength regions from UV-VIS-NIR to the NIR.

Easy to use

Each laser power measurement sphere is designed to accommodate any standard Labsphere detector assemblies.

The spheres include two statically placed detector ports. Users can mount two detectors simultaneously to measure laser sources with difference in output wavelength. The sphere can also be used for laser characterization by mounting a photodetector on one port and a spectrometer on the other.

Value

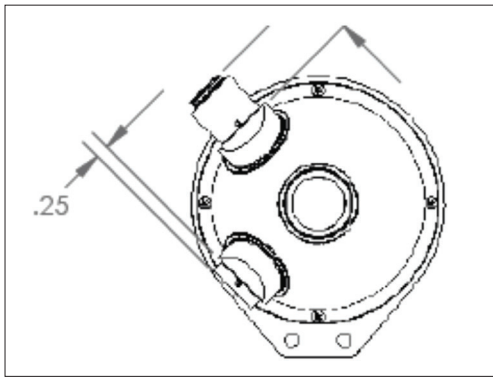
- Results independent of beam geometry up to 40° half angle
- Efficiently collects total power from highly divergent sources
- Ability to mount two different detectors or spectrometers simultaneously
- Attenuates the signal to avoid detector saturation

Applications

- Laser and laser diode output characterization
- Optical bench detection

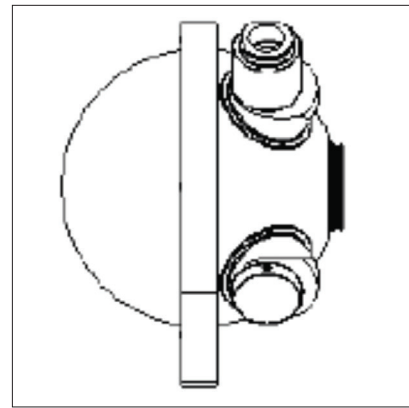
LPM-XXX-SL

The LPM-XXX-SL Laser Power Measurement Spheres are integrating spheres designed for the measurement of lasers and laser diodes in the UV-VIS-NIR spectral region (300 - 1800 nm). The interior of the sphere is machined from Spectralon®, a thermoplastic resin with reflectance of approximately 99% over the spectral range of 400 to 1500 nm, and > 95% from 250 to 2500 nm.



LPM-XXX-SF

The LPM-XXX-SF Laser Power Measurement Spheres are integrating spheres designed for the measurement of lasers and laser diodes in the UV-VIS-NIR spectral region. The interior of the sphere is coated with Spectrafect®, a diffuse white coating applicable over the spectral range of 350 to 1800 nm.



Ordering Information

Model Number	Order Number
3P-LPM-020-SF	AS-02489-001
3P-LPM-020-SL	AS-02488-001
3P-LPM-040-SF	AS-02492-001
3P-LPM-040-SL	AS-02491-001
3P-LPM-060-SF	AS-02495-001
3P-LPM-060-SL	AS-02493-001

Specifications

	LPM-XXX-SL	LPM-XXX-SF
Sphere Diameters, respectively:	2, 4, 6 inch	2, 4, 6 inch
Input Aperture Diameters, respectively:	0.5, 1, 1 inch	0.5, 1, 1 inch
Sphere Material/Coating:	Spectralon®	Spectrafect®
Optimum Spectral Range:	250 - 2500 nm	350 to 1800 nm