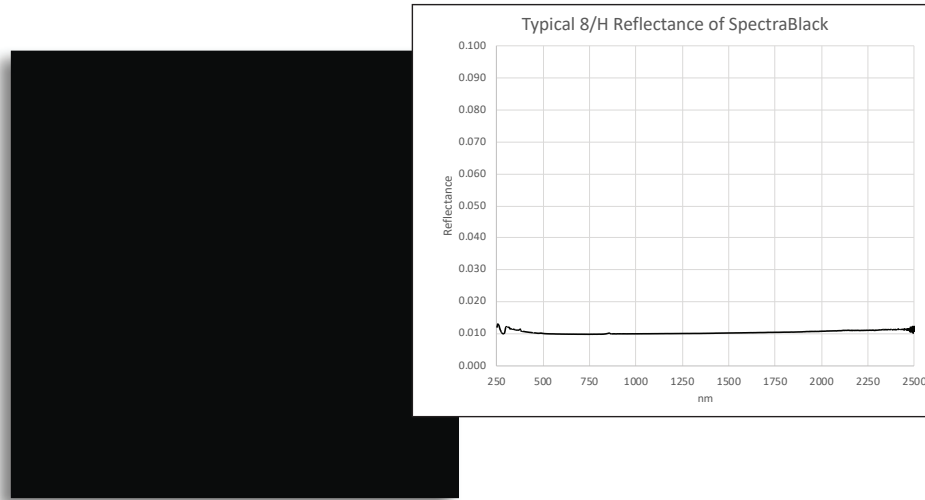


# Spectrablack

## Low Reflectance Light Absorbing Materials and Targets



### Excellent light absorption

Characterizing the performance of Lidar and Time of Flight (ToF) sensing systems at low reflectance (<5%) has proved difficult due to a lack of spectrally flat optical reflectance materials. Labsphere's Spectrablack targets and materials solve this problem.

Spectrablack is a low reflectance, light absorbing material that is resistant to abrasion. The material is continuously microporous resulting in unparalleled light absorption.

### Typical Reflectance\*

250 – 380 nm: 1.5 %  
380 – 780 nm: 1.0 %  
780 – 2500 nm: 1.1 %

\*Reflectance values may vary.

### Features

- Typical spectral reflectance 1.6% or less from 250 - 2500 nm
- Abrasion resistant, easy to use, and easy to clean

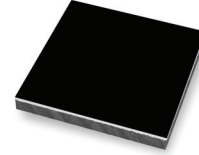
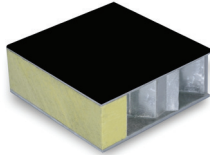
### Applications

- ToF and LIDAR low reflectance Range testing
- Light shielding/absorbing; utilizes the light absorbing effect of the micro porous surface
  - Optical scattering prevention in optical systems, optical measuring instruments, cameras, etc.
  - Spectrometer and spectrophotometer stray light reduction
  - Non-reflective sheeting and general light shielding material
- Ideal for indoor, near normal, sensor characterization

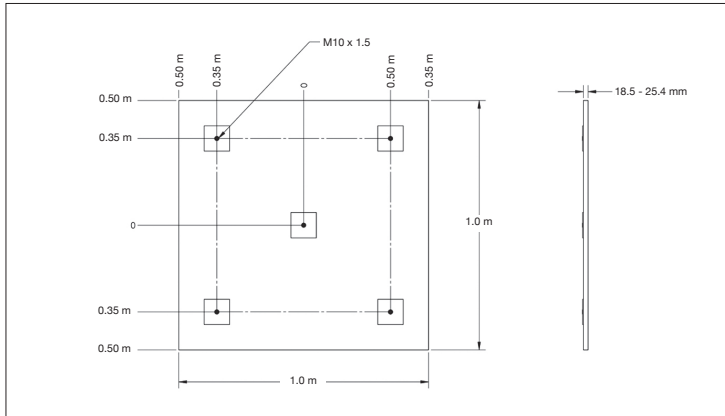
## Results you can trust

All Spectrablack targets include a calibration. Choose the calibration package that's right for your application.

1. Spectrablack Commercial and Rigid Targets include a calibration report of the average spectral reflectance from 350 to 2400 nm and a 905 nm nine point reflectance map. The average reflectance is calculated from nine individual measurements collected in a grid across the target surface. Your target will ship with a calibration certificate, uniformity map, and a calibration data file on USB.
2. Spectrablack Lidar Targets include a calibration report of the average spectral reflectance at 850 nm, 905 nm and 1550 nm. The average reflectance values are calculated from nine individual measurements collected in a grid across the target surface. All Lidar Targets include 850 nm, 905 nm and 1550 nm reflectance uniformity maps. Your target will ship with a calibration certificate, uniformity maps, and pdf files on USB.

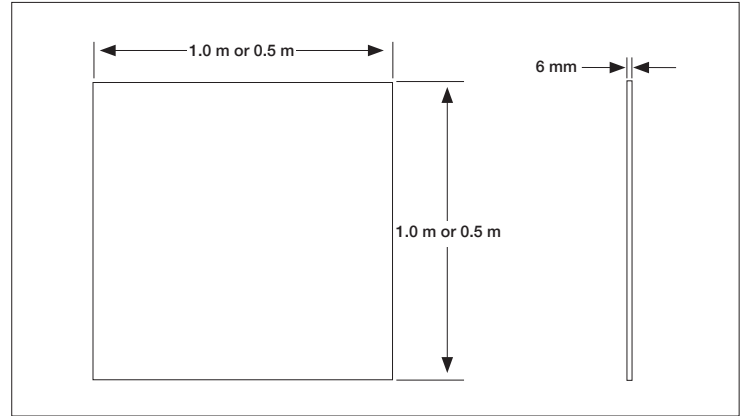


Example of Commercial and Lidar Target with Mounting



Approximate Target Weights and Thickness		
Size	Weight	Thickness
0.5 m x 0.5 m	2.0 kg	18.5 mm
1.0 m x 1.0 m	8.0 kg	18.5 mm

Example of Rigid Target



Approximate Target Weights and Thickness		
Size	Weight	Thickness
0.5 m x 0.5 m	2.0 kg	6 mm
1.0 m x 1.0 m	8.0 kg	6 mm

## Ordering Information

MODEL	DESCRIPTION	ORDER NUMBER
SBT-05M-CT-TMCM	Spectrablack, Commercial Target, 0.5 m x 0.5 m, 18.5 mm thick, Honeycomb Al backing, with mounting, nine point uniformity map reported at 905 nm and a report of the average reflectance from 350 to 2400 nm derived from the nine points used for mapping	AA-01601-001
SBT-10M-CT-TMCM	Spectrablack, Commercial Target, 1.0 m x 1.0 m, 18.5 mm thick, Honeycomb Al backing, with mounting, nine point uniformity map reported at 905 nm, and a report of the average reflectance from 350 to 2400 nm derived from the nine points used for mapping	AA-01601-002
SBT-05M-LT-TMCM	Spectrablack, Lidar Target, 0.5 m x 0.5 m, 18.5 mm thick, Honeycomb Al backing, with mounting, nine point mappings and calibrations at 850, 905, and 1550 nm	AA-01601-005
SBT-10M-LT-TMCM	Spectrablack, Lidar Target, 1.0 m x 1.0 m, 18.5 mm thick Honeycomb Al backing, with mounting, nine point mappings and calibrations at 850, 905, and 1550 nm	AA-01601-006
SBT-05M-RT-TCM	Spectrablack, Rigid Target, 0.5 m x 0.5 m, 6 mm thick, light Al backing, no mounting, nine point uniformity map reported at 905 nm, and a report of the average reflectance from 350 to 2400 nm derived from the nine points used for mapping	AA-01601-003
SBT-10M-RT-TCM	Spectrablack, Rigid Target, 1.0 m x 1.0 m, 6 mm thick light Al backing, no mounting, nine point uniformity map reported at 905 nm, and a report of the average reflectance from 350 to 2400 nm derived from the nine points used for mapping	AA-01601-004



Advancing the Technology of Light: Measure. Create. Reflect.

sales@labsphere.com

www.labsphere.com

© 2021 Labsphere, Inc. All Rights Reserved  
PB-14093-000 Rev 01